



Extra Features

SYSTEM FEATURES

- Listed to UL 1449 4th edition for Type 1 and Type 2 SPD applications.
- Innovative Z-Path System™ ensures equal current sharing, increased reliability and maximum performance
- Individually fused MOVs provide superior protection and continuous operation
- 200kAIC short circuit current rating allows direct bus connection without the need for an upstream over-current protection device
- **Includes best-in-class UL 1283 enhanced EMI/RFI filter**
- All modes of protection (L-N, L-G, N-G & L-L)
- Form "C" contacts and audible alarm with silence button – standard
- **Surge event counter – standard**
- DTS-2 compatible for proactive testing
- Ultra compact steel NEMA 4 enclosure makes installation flexible
- **15-Year standard product warranty**

MODEL NUMBER SCHEME

E.g.: CGP-060-120/208-3GY (as shown in above photo)



kA Rating (Must Choose One)

060	60kA per mode
080	80kA per mode
100	100kA per mode
120	120kA per mode
150	150kA per mode
200	200kA per mode

Voltage (Must Choose One)

220-1G	220V, 1-Phase, 2-Wire + Ground
230-1G	230V, 1-Phase, 2-Wire + Ground
240-1G	240V, 1-Phase, 2-Wire + Ground
120/240-2G	120/240V, 2-Phase, 3-Wire + Ground
120/208-3GY	120/208V, 3-Phase Wye, 4-Wire + Ground
220/380-3GY	220/380V, 3-Phase Wye, 4-Wire + Ground
230/400-3GY	230/400V, 3-Phase Wye, 4-Wire + Ground
277/480-3GY	277/480V, 3-Phase Wye, 4-Wire + Ground
347/600-3GY	347/600V, 3-Phase Wye, 4-Wire + Ground
120/240-3GHD	120/240V, 3-Phase High-Leg Delta, 4-Wire + Ground (B-Phase must be 208V)
240-3DG	240V, 3-Phase Delta, 3-Wire + Ground
380-3DG	380V, 3-Phase Delta, 3-Wire + Ground
480-3DG	480V, 3-Phase Delta, 3-Wire + Ground
600-3DG	600V, 3-Phase Delta, 3-Wire + Ground

Available Options

S	Stainless Steel Enclosure
D	For 200kAIC External Disconnect
SD	For External Disconnect & Stainless Steel Enclosure
	Leave blank for no Disconnect & Standard Enclosure

Stand-Alone Option (To Be Ordered As Separate Items)

DTS	DTS-2 Diagnostic Test Set
-----	---------------------------

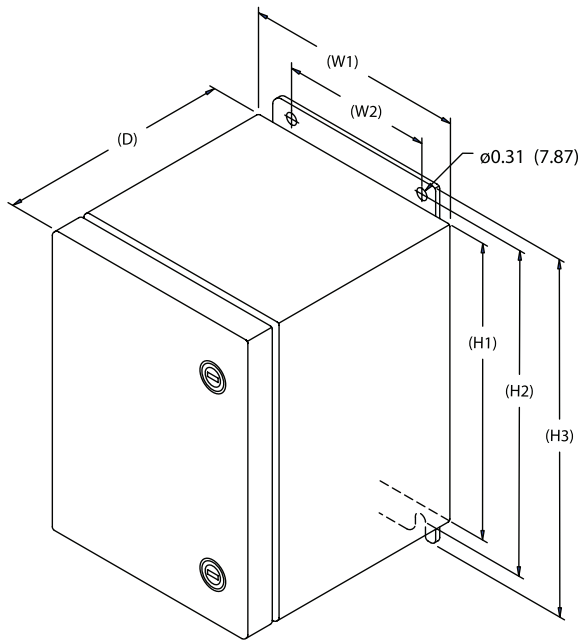
PRODUCT SPECIFICATIONS

General Specifications

Maximum Surge Current Rating	60kA per mode, 120kA per phase
Nominal Discharge Surge Current	I-n = 20kA
Safety Listings	UL Listed 1449 4th Edition for Type 1 and Type 2 SPD applications, cUL, and UL 1283 / Meets Requirements for UL 96A / Compliant to IEEE C62.41.1-2002, C62.41.2-2002 and C62.45-2002 / NFPA 70 [NEC], Article 285 / RoHS Compliant / CE, IEC 61643-11-2011 / FCC Part B Class B / EMC Directive 2004/108/EC / Low Voltage Directive 2006/95/EC
Repetitive Surge Current Rating	3,500 impulses per mode based on actual test data (using ANSI/IEEE C62.41.1-2002 C3 combo wave)
Product Design	Hybrid parallel design Individually fused MOVs UL 1283 EMI/RFI Filter
Application	ANSI/IEEE C62.41.1 Locations C, B and A Ideal for Distribution Panels, Branch Panels and Critical Loads
Standard Monitoring	Status indicator lights (one per phase) Service indicator light Form C contacts (NO/NC) Audible alarm with silence button Surge counter
Fault Current (SCCR)	200kAIC – no upstream over-current protection device (breaker or fuse) required
Connection Method	Parallel
Protection Modes	All Modes (L-N, L-G, N-G, L-L)
Response Time	< 0.5 Nanoseconds
Operating Frequency	47 – 63 Hz
Warranty	15 Year

EMI / RFI Filter Attenuation – Mil Standard 220B

Up to 33 dB from 10 KHz to 100 MHz



DIMENSIONAL SPECIFICATIONS

CGP60	Inches	(mm)
H1	10.00	(254.0)
H2	10.75	(273.1)
H3	11.50	(292.1)
W1	8.75	(222.3)
W2	6.75	(171.5)
D	6.30	(160.0)

MECHANICAL SPECIFICATIONS

Enclosure Type	Powder coated, impact-resistant steel, weather-proof NEMA 4
Installation Location	Indoor or outdoor
Dimensions	10"H x 8.75"W x 6.3"D
Connection Method	Hard-wired via internal lugs #10AWG – #3 AWG
Mounting Method	Dual mounting flanges
Operating Environment	-40° F to +158° F (-40° C to +70° C) 5% – 95% non-condensing humidity
Weight	30 lbs.

CURRENTGUARD PLUS 60 PERFORMANCE DATA

Model Number *CGP60-220-1G* *CGP60-230-1G* *CGP60-240-1G* *CGP60-120/240-2G* *CGP60-120/208-3GY* *CGP60-220/380-3GY* *CGP60-230/400-3GY* *CGP60-277/480-3GY* *CGP60-347/600-3GY* *CGP60-120/240-3GHD* *CGP60-240-3GD* *CGP60-380-3GD* *CGP60-480-3GD* *CGP60-600-3GD*

System Voltage	220V 230V 240V			120/240V 120/208V				220/380V 230/400V 277/480V				347/600V				120/240V					240V		380V 480V		600V			
	L-N	L-G	N-G	L-N	L-G	L-L	N-G	L-N	L-G	L-L	N-G	L-N	L-G	L-L	N-G	L-N	H-N	L-G	H-G	L-L	H-L	N-G	L-G	L-L	L-G	L-L	L-G	L-L
MCOV	320	320	320	150	150	300	150	320	320	640	320	420	420	840	420	150	320	150	320	300	470	150	320	320	550	550	750	750
B3 Ring Wave 6kV, 500A	640	759	721	405	470	605	322	640	759	960	721	715	829	1130	670	405	640	470	640	605	800	322	759	640	1050	860	1260	1070
B3/C1 Combo Wave 6kV, 3kA	1010	1022	957	590	644	980	603	1010	1022	1740	957	1250	1340	2300	1230	590	1010	644	1022	980	1400	603	982	1070	1500	1720	1960	2260
C3 Combo Wave 20kV, 10kA	1540	1600	1550	970	1160	1430	1100	1540	1600	2260	1550	1910	1960	2910	1880	970	1540	1160	1600	1430	2050	1100	1630	1550	2260	2340	2760	2950
UL1449 3 rd Edition 6kV, 3000A VPR	1000	1000	1000	700	700	1200	700	1000	1000	1800	1000	1500	1500	2500	1500	700	1000	700	1000	1000	1500	700	1000	1000	1800	1800	2500	2500

All CurrentGuard™ systems measured limited voltages are peak values (±10%) measured from the zero reference point and are in compliance with test and evaluation procedures outlined in NEMA LS1-1992 (R2000), paragraphs 2.210 and 3.10. Specifications subject to change without notice, refer to www.currenttechnology.com for latest revision.



Thomas & Betts Power Solutions
 5900 Eastport Blvd. • Richmond, VA 23231-4453 USA
 Tel: (804) 236-3300 • Toll free: (800) 238-5000 • Fax: (804) 236-4841
tnbpowersolutions.com/current_technology

© 2016, Thomas & Betts Power Solutions, LLC. • Thomas & Betts Power Solutions, LLC., is a wholly owned subsidiary of Thomas & Betts Corporation. Current Technology® is a registered trademark of Thomas & Betts International, Inc. • Specifications are subject to change without notice. • Visit our website for latest revisions.