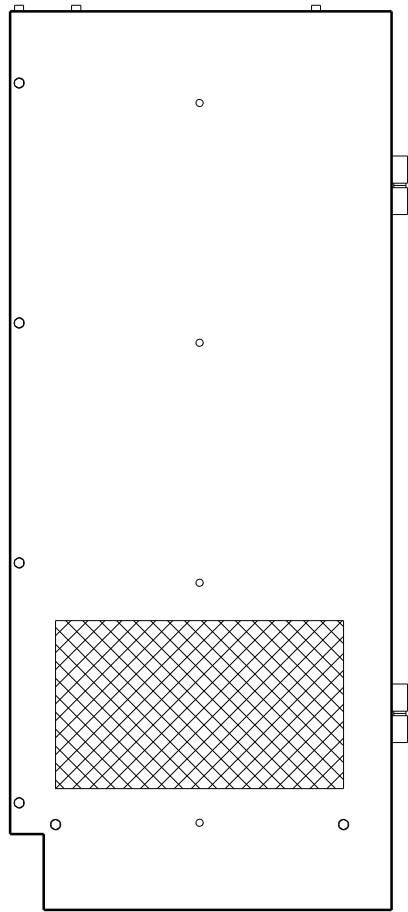
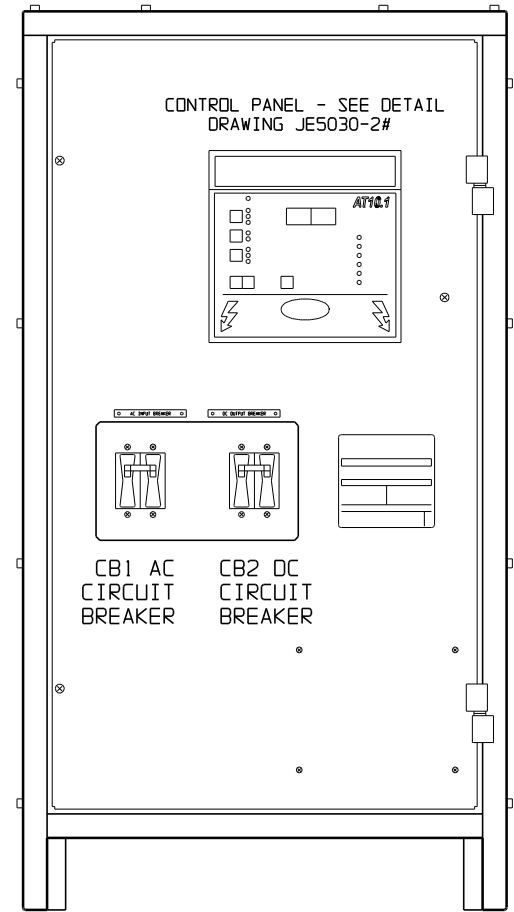


SIDE VIEW

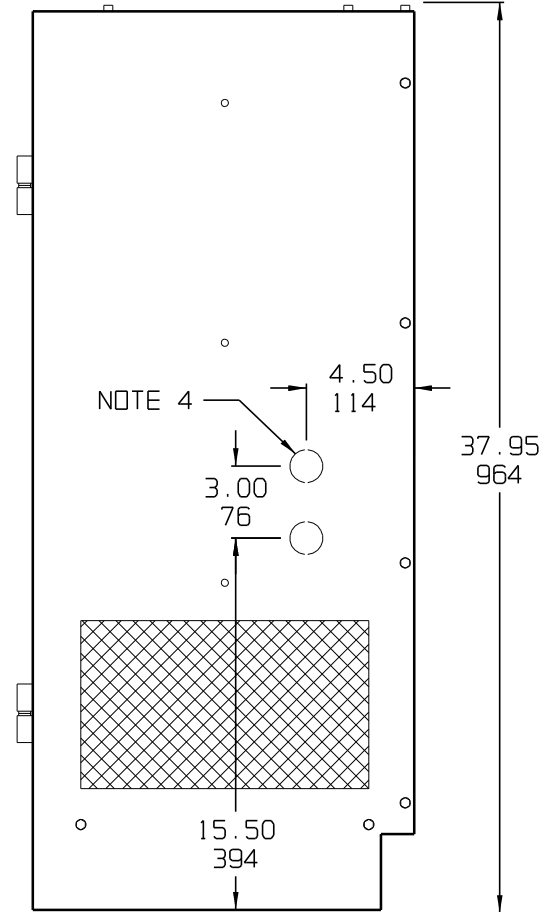


FRONT VIEW



20.90  
531

SIDE VIEW



NOTE 4

4.50  
114

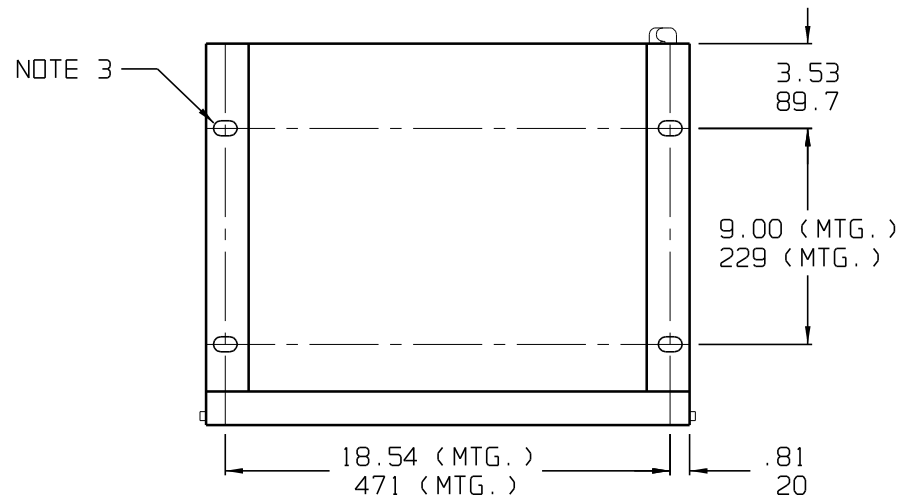
3.00  
76

37.95  
964

16.77  
426

15.50  
394

BOTTOM VIEW



NOTE 3

3.53  
89.7

9.00 (MTG.)  
229 (MTG.)

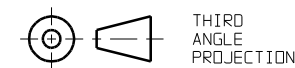
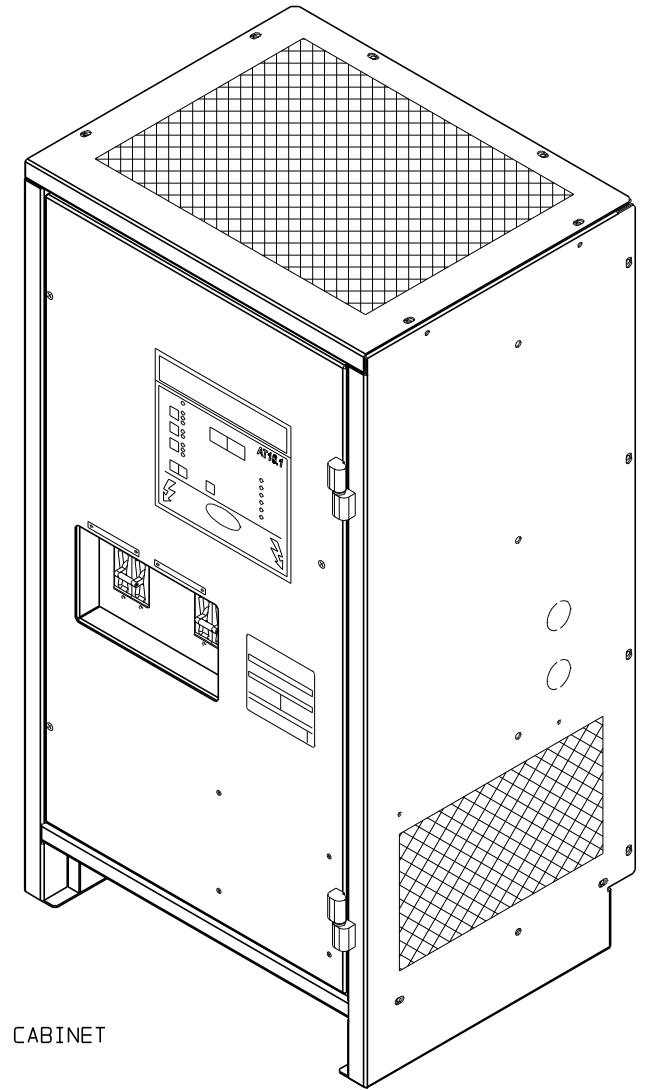
18.54 (MTG.)  
471 (MTG.)

.81  
20

NOTES:

- 1) ENCLOSURE IS A NEMA-1 TYPE CABINET WITHOUT GASKETS.
- 2) ALLOW 12in (305mm) OF FREE AIR (TOP AND FRONT OF CABINET) FOR VENTILATION.
- 3) FOUR (4) 1in x .625in (25mm x 16mm) FLOOR-MOUNTING SLOTS ARE PROVIDED ON BOTTOM OF ENCLOSURE AS SHOWN.
- 4) TWO (2) 1.31in/33mm DIA STANDARD PRE-FAB KNOCKOUTS ARE PROVIDED, SHOWN ON THE LOWER-RIGHT SIDE OF ENCLOSURE FOR UP TO 1in/25mm CONDUIT. IF ADDITIONAL CONDUIT ENTRANCES ARE REQUIRED BY USER, ENCLOSURE SHOULD BE FIELD-MODIFIED BY INSTALLER.
- 5) BATTERY CHARGER SHIPPING WEIGHT RANGE: APPROXIMATELY 205-660 lbs. / 93-300 kg.

DUAL DIMENSIONS in mm



THIRD ANGLE PROJECTION



				DRAWN BY MCR	022603	TITLE AT10.1 SERIES BATTERY CHARGER OUTLINE: NEMA-1 STYLE-5018 ENCLOSURE	
				APPROVED <i>QA</i>	022603	DRAWING No JE5026-00	
1	E1541	090905		UNLESS OTHERWISE NOTED DIMENSIONS ARE IN INCHES. TOLERANCES ARE:		REV 1	<b>B</b>
0	E1151	022603	<i>QA</i>	SCALE NTS	PART No JE5026-00	SHEET 1 OF 1	
REV	ECN No	DATE	APP				