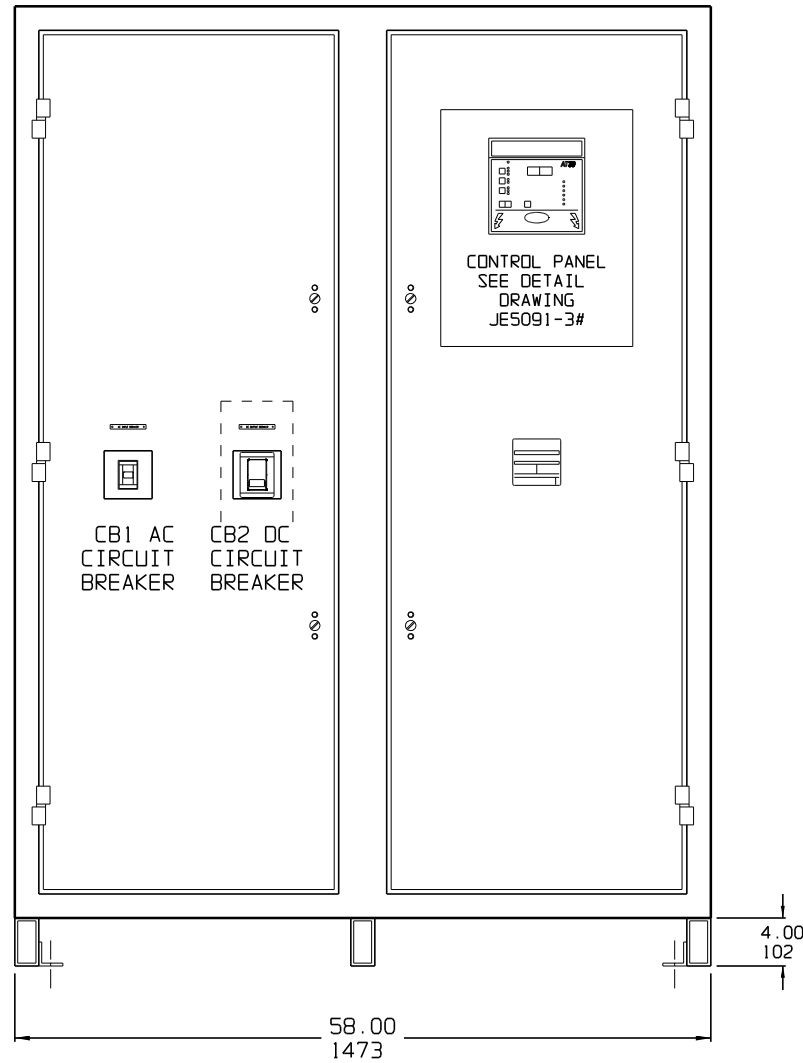
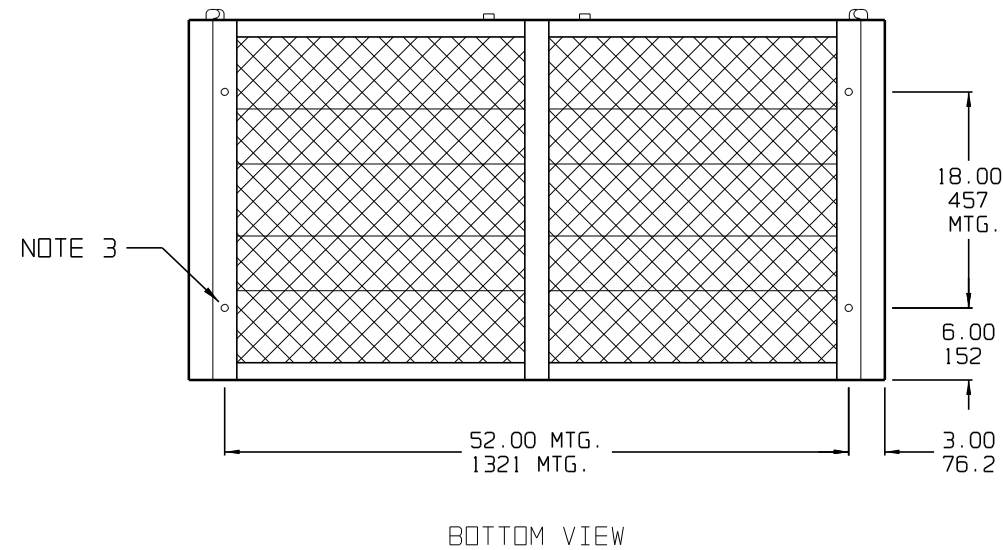
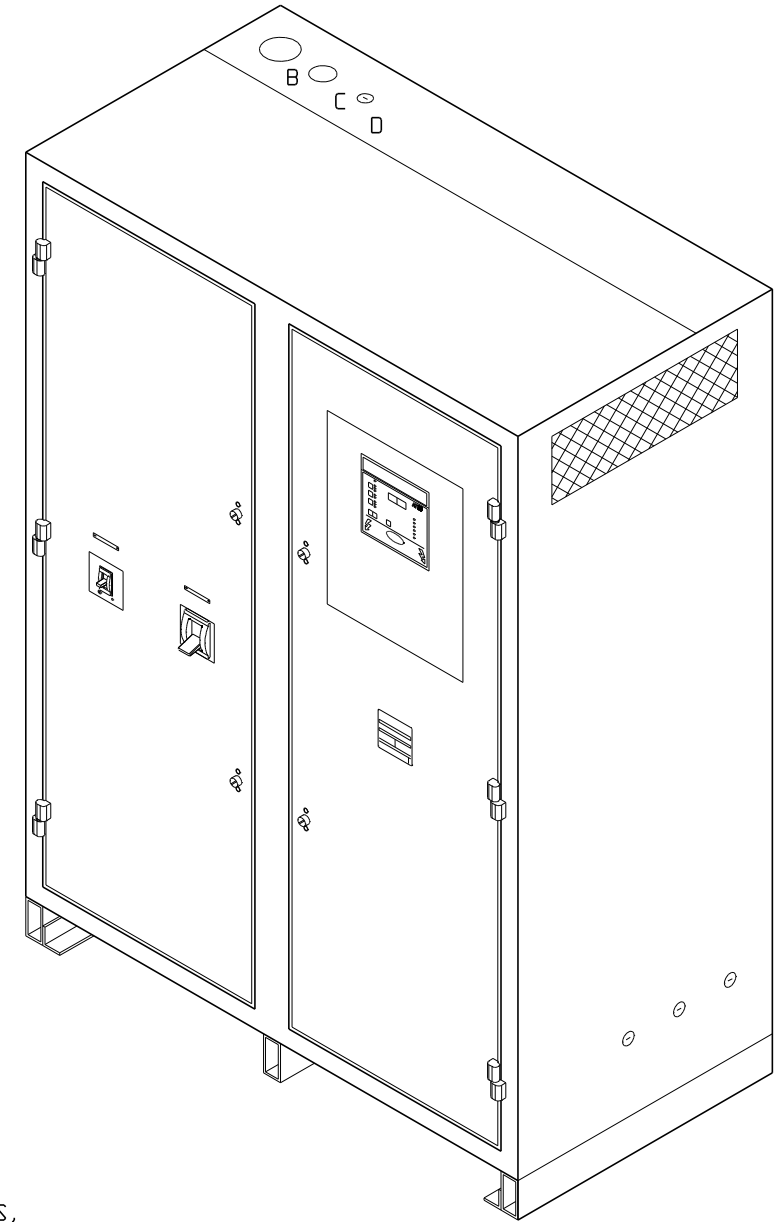
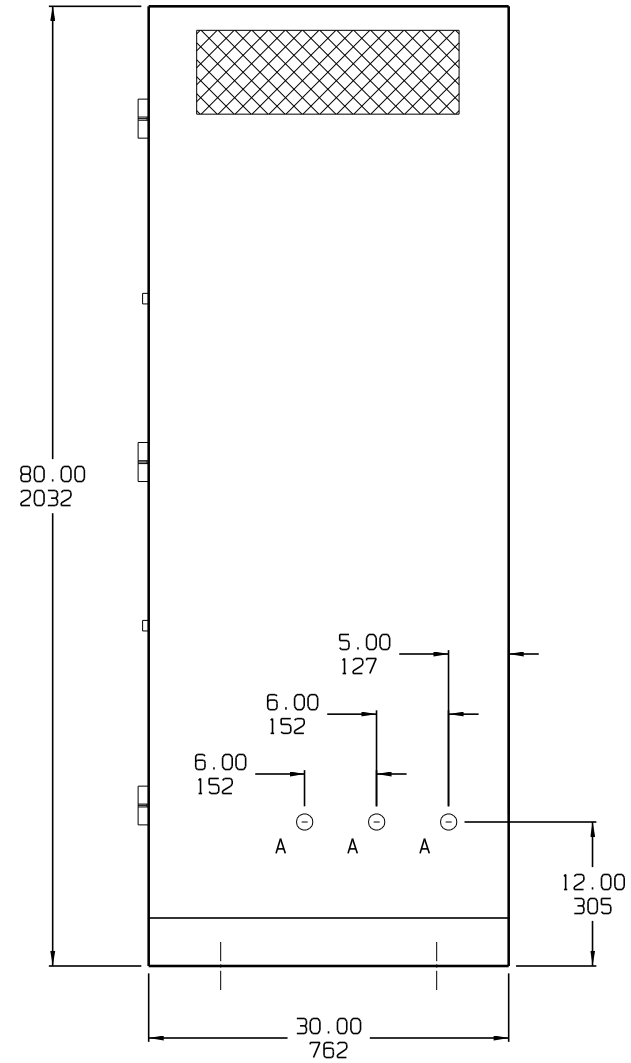


FRONT VIEW



RIGHT SIDE VIEW



BOTTOM VIEW

NOTES:

- 1) ENCLOSURE IS A NEMA-1 / IP20 TYPE STEEL CABINET WITHOUT GASKETS, FINISH IS ANSI-61 GRAY EPOXY POWDERCOAT.
- 2) ALLOW 12in / 305mm OF FREE AIR ON TOP, SIDES, AND FRONT OF CABINET FOR VENTILATION.
- 3) FOUR (4) 0.625in / 16mm FLOOR-MOUNTING HOLES ARE PROVIDED ON BOTTOM OF ENCLOSURE AS SHOWN.
- 4) NINE (9) STANDARD PRE-FAB CONDUIT KNOCKOUTS ARE PROVIDED AS SHOWN FOR CABLE ENTRY. BOTTOM CONDUIT ENTRY IS POSSIBLE THROUGH EXPANDED METAL UNDERSIDE. IF ADDITIONAL CONDUIT ENTRANCES ARE REQUIRED, ENCLOSURE SHOULD BE FIELD-MODIFIED BY INSTALLER.
- 5) BATTERY CHARGER SHIPPING WEIGHT: (SEE PRODUCT LITERATURE)

HOLE	DIA.	QTY.	APPLICATION
A	1.313 33.34	6	PRE-FAB CONDUIT KNOCKOUT FOR SML CABLE (BOTH SIDES)
B	3.500 88.90	1	PRE-FAB CONDUIT KNOCKOUT FOR LRG CABLE (TOP SIDE)
C	2.375 60.33	1	PRE-FAB CONDUIT KNOCKOUT FOR MED CABLE (TOP SIDE)
D	1.313 33.34	1	PRE-FAB CONDUIT KNOCKOUT FOR SML CABLE (TOP SIDE)

DUAL DIMENSIONS in mm

			THIRD ANGLE PROJECTION		<b>Thomas &amp; Betts</b> Power Solutions	
			DRAWN BY MCR 082709	TITLE AT30 BATTERY CHARGER OUTLINE: NEMA-1 STYLE-198 ENCLOSURE		
			ELECTRONIC APPROVAL SIGNATURES MAINTAINED BY MFG ECN LOG			DRAWING No JE5096-00
0	21795	082709	UNLESS OTHERWISE NOTED DIMENSIONS ARE IN INCHES. TOLERANCES ARE:			REV 0 <b>B</b>
REV	ECN No	DATE	SCALE NTS	PART No JE5096-00	SHEET 1 OF 1	