

AC SURGE PROTECTOR SURGITRON II

MODEL NUMBER SCHEME

Available Configurations

Model Number	Voltage	Configuration
1261-41	230Vac	1-Phase, 2 Wire 50-60 Hz
1457-41	400Y/230Vac	3-Phase, 4 Wire 50-60 Hz

SPECIFICATIONS

Maximum Surge Current

Single Pulse, 8/20 μ s, per phase	1261-41	120 kA
	1457-41	60 kA

Suppression Voltage, L-N using ANSI/IEEE C62.41 Waveshapes

200 A, 100 kHz	(6 kV)	760 V
500 A, 100 kHz	(6 kV)	810 V
500 A, 8/20 μ s	(6 kV)	745 V
3 kA, 8/20 μ s	(6 kV)	820 V
10 kA, 8/20 μ s	(20 kV)	1010 V
20 kA, 8/20 μ s	(20 kV)	1560 V

UL 1449 Suppression Voltage 800 V

Surge Energy Capability, 10/1000 μ s,
total 1261: 4030 j 1457: 4030 joules

Surge Life, 230 Vac L-N applied,
3 kA, 8/20 μ s 25,000 times
10 kA, 8/20 μ s 500 times

Component Response Time <1 ns

Operating Temperature -40° to +85° C

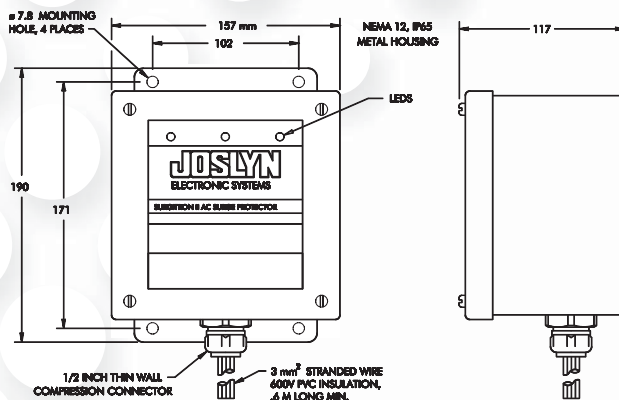
Max Operating Altitude 5000 m

Shipping Weight 3.5 kg

Warranty: 5 years

Approvals: UL1449 2nd Edition 2005 Revision (effective 2/9/2007)

DIMENSIONS



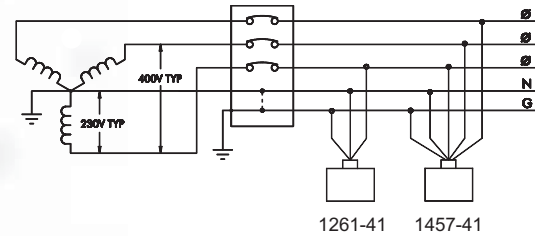
SYSTEM FEATURES AND BENEFITS

- SPD Category and Type – Service entrance or distribution panel, permanently connected. 1261-41 can be used on types TN-C, TN-C-S and TNS neutral earthing schemes, while model 1457-41 is intended for use on type TN-C and TN-C-S schemes.
- Technology – Matrix of individually fused metal oxide varistors housed in replaceable modules.
- Features – LEDs on cover provide indication of functional status of protector modules.

CHARACTERISTICS

Upstream Overcurrent Device	None required	
Maximum Continuous Operating, L-N, 50 or 60 Hz	276 Vac	
Protection Modes	1261-41	L-N, L-G, N-G
	1457-41	L-N, N-G
Varistor MCOV	300 Vac	
Nominal Varistor Voltage at 1 mAdc	470 V	
Leakage, L-G at 230 Vac	<500 μ A	

CONNECTIONS



5900 Eastport Boulevard Richmond, VA 23231-4453 USA
TEL: 804.236.3300 800.238.5000 FAX: 804.236.4047