

# Surgitron® I

1457-45  
1457-80  
1457-85

## HEAVY DUTY SERVICE ENTRANCE APPLICATIONS MODULAR DESIGN

### FEATURES AND BENEFITS

- Listed by ETL to UL 1449 3rd Edition for a Type 1 SPD application.
- Matrix of individually fused Metal Oxide Varistors (MOVs) housed in replaceable modules.
- Cover lights indicate status of modules.
- Neutral Grounding – Use 1457-45/ -85 for types TN-C, TNS or TN-C-S. Use 1457-80 for type TT Service.



### AVAILABLE CONFIGURATIONS

Model Number	kA Per Phase	Voltage	Configuration
1457-45	120kA	400/230V	3-Phase Wye, 4-Wire + Ground
1457-80	120kA	400/230V	3-Phase Wye, 4-Wire + Ground
1457-85	120kA	400/230V	3-Phase Wye, 4-Wire + Ground

#### Warranty

5-years

#### Available Options

Surge Counter	Add suffix -S
Stainless Steel NEMA 4X enclosure	Add suffix -4X
Dry Relay Contacts come standard on 1457-80 and 1457-85 models only	

#### Stand Alone Option

Remote Monitor	1260-97
----------------	---------

### PRODUCT SPECIFICATIONS

#### Electrical

Nominal Discharge Current Rating (I-n)	20kA
Operating Frequency	50–60Hz
Connection Methods	Parallel to load (shunt) Lugs #14–#2 Directly connect or through 60A (min) breaker
Modes of Protection	1457-45 L-N, N-G 1457-80 L-N, L-G, N-G 1457-85 L-N, N-G
Fault Rating (SCCR)	100kAIC
Response Time	Less than 1 nanosecond (one per phase)
Standard Monitoring	LED status indicator lights (one per phase)

#### Mechanical

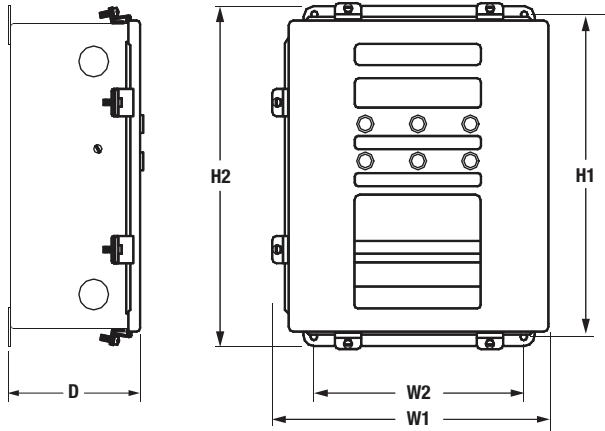
Weight	28.7 lbs (13 kg)
Enclosure Type	NEMA 4, 4X
Installation Location	Indoor/Outdoor
Mounting Method	Dual mounting flanges
Operating Environment	-40° to +185°F (-40° to +85°C)
Altitude	Up to 16,400 ft. (5000 m)
Product Design	Individually fused MOVs Overcurrent fusing

#### Regulatory

UL 1449 3rd Edition Type	Type 1
UL 1283	No
IEEE C62.41.1, .2, C62.45	Yes
Listed By	ETL

## SURGITRON I PERFORMANCE DATA

Model Number	kA Per Phase	Voltage Configuration	Protection Modes	MCOV	UL 1449 3rd Edition 6kV 3000A VPR
1457-45	120kA	400/230V	L-N N-G	320 320	1000V 900V
1457-80	120kA	400/230V	L-N L-G N-G	320 320 320	1000V 1000V 1200V
1457-85	120kA	400/230V	L-N N-G	320 320	1000V 900V



## DIMENSIONAL SPECIFICATIONS

Dim	Inches (mm)
H1	14.75 (374.7)
H2	15.5 (393.7)
W1	12.9 (327.7)
W2	10 (254)
D	6.2 (157.5)