



Surgitron[®] III -49 Series Type 1

**MEDIUM DUTY FOR RESIDENTIAL
OR INDUSTRIAL APPLICATIONS**

FEATURES AND BENEFITS

- Listed to UL 1449 3rd Edition for a Type 1 SPD application.
- Individual fusing for each Metal Oxide Varistors (MOVs).
- LED indicates proper function of individual MOVs

PRODUCT SPECIFICATIONS

Electrical

Nominal Discharge Current Rating (I-n)	20kA
Operating Frequency	47–63Hz
Connection Methods	Parallel to Load (shunt) #14 AWG wires
Modes of Protection	1260-49 L-N, L-G, N-G 1260-49-C L-N, L-G, N-G 1261-49-C L-N, L-G, N-G 1265-49 L-N, L-G, N-G 1265-49-C L-N, L-G, N-G, L-L 1450-49 L-G, L-L 1455-49 L-N, L-G, N-G, L-L
Fault Rating (SCCR)	100kAIC
Response Time	Less than 1 nanosecond (one per phase)
Standard Monitoring	LED status indicator lights

Mechanical

Weight	2 lbs. (.9 kg)
Enclosure Type	NEMA 1, Non-metallic
Installation Location	Indoor
Mounting Method	1/2" – 14 NPS Thread (Aluminum Bracket Optional)
Operating Environment	-40° to +176°F (-40° to +80°C)
Altitude	Up to 16,400 ft. (5000 m)
Product Design	Individually fused MOVs

Regulatory

UL 1449 3rd Edition Type	Type 1
UL 1283	No
IEEE C62.41.1, .2, C62.45	Yes
Listed By	UL

AVAILABLE CONFIGURATIONS

Model Number	kA Per Phase	Voltage	Configuration
1260-49	40kA	120V	1-Phase, 2-Wire +Ground
1260-49-C	40kA	120V	1-Phase, 2-Wire +Ground
1261-49-C	40kA	240V	1-Phase, 2-Wire +Ground
1265-49	40kA	120/240V	2-Phase, 3-Wire + Ground
1265-49-C	40kA	120/240V	2-Phase, 3-Wire + Ground
1450-49	40kA	240V	3-Phase Delta, 4-Wire + Ground
1455-49	40kA	120/208V	3-Phase Delta, 4-Wire + Ground

Warranty

3-years

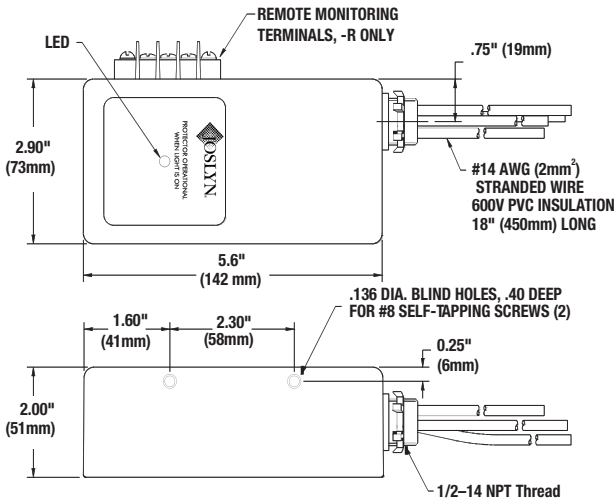
Available Options

1 set of Dry Relay Contacts (all models)	Add suffix -R
1 set of Dry Relay Contacts + Mounting Bracket (only on 1265-49 model)	Add suffix -RB

SURGITRON III PERFORMANCE DATA

Model Number	Voltage Configuration	Protection Modes	MCOV	UL 1449 3rd Edition 6kV 3000A VPR
1260-49	120	L-N	150	800
		L-G	260	1000
		N-G	150	800
1260-49-C	120	L-N	150	800
		L-G	150	800
		N-G	150	800
1261-49-C	240	L-N	320	1000
		L-G	320	1200
		N-G	320	1000
1265-49	120/240	L-N	150	800
		L-G	260	1000
		N-G	150	800
		L-L	260	1000
1265-49-C	120/240	L-N	150	800
		L-G	150	800
		N-G	150	800
		L-L	260	1000
1450-49	240	L-G	260	1000
		L-L	260	1000
1455-49	120/208	L-N	150	800
		L-G	260	1000
		N-G	150	800
		L-L	260	1000

DIMENSIONAL SPECIFICATIONS



Alarm Relay Contacts Shown with Power On

