

# JMD 70<sub>HUR</sub>



## DIN RAIL SURGE PROTECTION FOR MAINS AND CONTROL PANELS.

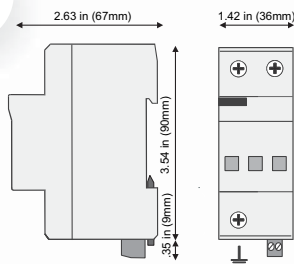
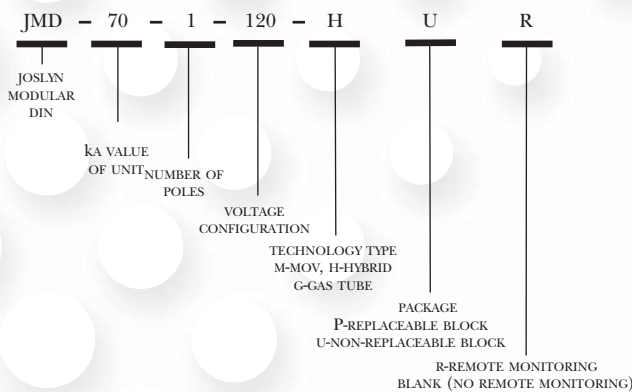
- Joslyn's DIN Rail surge protector is a Class I/Cat C device suitable for use at the main electrical panel. The unit comes standard with internal thermal disconnect, failure indicator, and remote signaling.
- Standard 10-Year warranty.

## MODEL NUMBER SCHEME

### Available Configurations

Model Number	Voltage	Configuration
JMD-70-1-120-HUR	120V	1-Pole Non-Replaceable Block + Remote Signal
JMD-70-1-220-HUR	220V	1-Pole Non-Replaceable Block + Remote Signal
JMD-70-1-277-HUR	277V	1-Pole Non-Replaceable Block + Remote Signal
JMD-100-NG-GU	N-G	1-Neutral to Ground Non-Replaceable Block

### Ordering Information



## CHARACTERISTICS

Electrical Specifications	120	220	277
Max. Operating Voltage	150V	330V	330V
Max. Surge Current Rating 8/20µs	75kA	75kA	75kA
Nominal Surge Current Rating for a min of 20 8x20µs surges	30kA	30kA	30kA
Max. Surge Current Rating 10/350µs	25kA	25kA	25kA
UL 1449 2nd 6kV, 500A 8/20µs SVR	400V	600V	600V
C3 Combo Wave 20kV, 10kA 8/20µs	400V	600V	600V

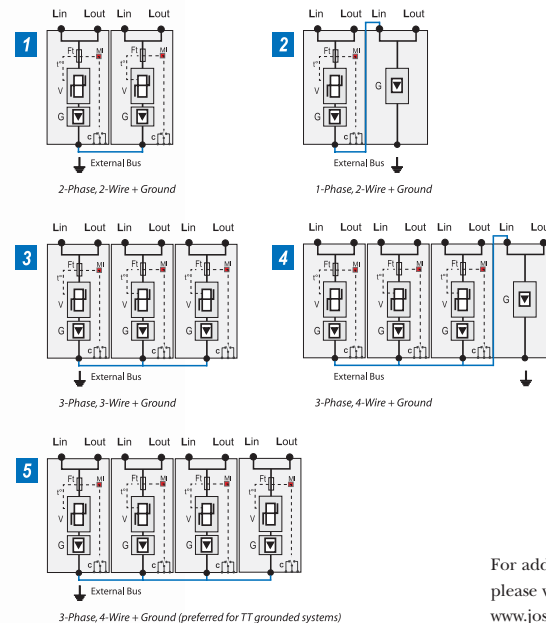
## Associated Fusing

Thermal Fuses	Internal
Over Current Fuses	30A-125A, Class-J, Time-Delayed

## Mechanical Specifications

Connection Method	Screw Terminal #2 - #10AWG (4-35mm <sup>2</sup> )/by buss
Operating Temperature	-40° to +185° F (-40° to 85° C)
Operating Altitude	13,000 ft (4,000m)
Enclosure	IP20
Housing Material	UL94V0 Thermoplastic
Mounting	Din Rail 35mm symmetrical

Approvals. All units meet UL1449 2<sup>nd</sup> Ed., EN61643-11 (Europe), ANSI/IEEE C 62.41-2002, NF EN 61643-11 (France), VDE0675-6, CSA-22.2, and CE marked



For additional configurations please visit our web site at [www.joslynsurge.com](http://www.joslynsurge.com)