

AC SURGE PROTECTOR SURGITRON III

MODEL NUMBER SCHEME

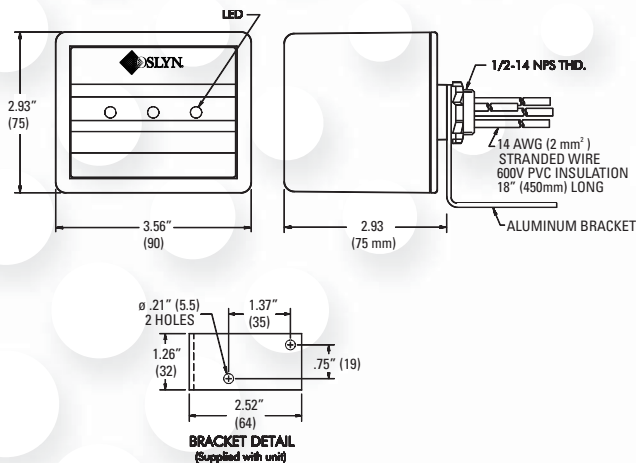
Available Configurations

Model Number	Voltage	Configuration
1260-21	120V	1-Phase, 2 Wire + Ground
1265-21	120/240V	Split Phase, 3 Wire + Ground
1265-21-G	120/240V	Split Phase, 3 Wire + Ground
1455-21	120/208V	3-Phase, 4 Wire + Ground
1455-21-A	120/208V	3-Phase, 4 Wire + Ground
1455-21-D	208-240V	3-Phase, 3 Wire + Ground, Delta

SPECIFICATIONS

Surge Current	40 kA per mode
Nominal Discharge Surge Current	20kA per UL 1449 3rd Edition
Short Circuit Current Rating	100kAIC no upstream protection required
Surge Life @ 3kA 8/20us	> 3,000 impulses
Product Design	Individually fused MOVs
Connection Method	Parallel to Load, 14 AWG (2mm) wires 600V PVC insulation, 18" long
Mounting Method	1/2"-14 NPS thread, aluminum bracket option
Operating Temperature	-40° to +80° C (-40° to 149° F)
Operating Altitude	16,400 ft (5000m)
Enclosure Type	NEMA 1, Non-metallic
Dimensions	2.93" x 2.93" x 3.56" (75mm x 75mm x 90mm)
Weight	2 lbs (0.9 kg)
Safety Approvals	UL1449 3rd Edition
Warranty	3 years

DIMENSIONS



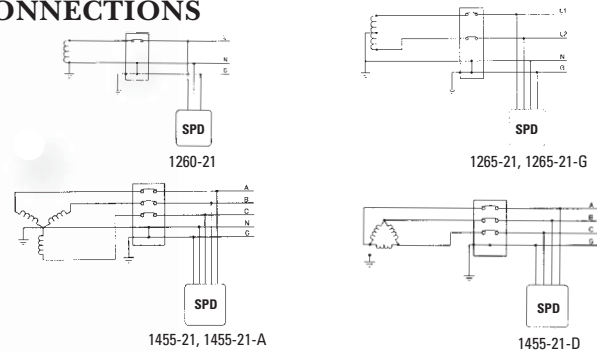
SYSTEM FEATURES AND BENEFITS

- UL Listed Type 1 Surge Protection Devices
- Suitable for use on service entrance, distribution panels or point of use applications
- Suitable for installation on either the line or load side of the main service disconnect
- No upstream over current protection device required, 100kAIC max SCCR
- Technology – Multiple Metal Oxide Varistors
- Features – Individual fusing for each MOV, LED indication per phase indicates proper functioning of individual MOVs

CHARACTERISTICS

Operating Frequency	47-63 Hz
Connection Method	Parallel to Load, 14 AWG (2mm) wires
Short Circuit Current Rating	100kAIC no upstream OCPD required
Modes of Protection (model specific)	L-N, L-G, L-L, N-G
Response Time	less than 1 nanosecond
Monitoring	Status Indicator lights (one per phase)
Leakage Current L-G	<100 µA

CONNECTIONS



PERFORMANCE DATA

ANSI/IEEE C62.41.1-2002, C62.41.2-2002 & C62.45-2002
Measure Limiting Voltage

Model	Voltage Configuration	Mode	MCOV	VPR Voltage Protection Rating UL 1449 3rd Edition			
				Ring Wave 6kV, 500A	CombWave 6kV, 3KA	CombWave 20kV, 10kA	3rd Edition
1260-21	120	L-N	150	460	480	740	700
		L-G	300	765	910	1205	1200
		N-G	0	460	480	740	700
1265-21	120/240	L-N	150	460	480	740	700
		L-G	300	765	910	1205	1200
		L-L	300	765	910	1205	1200
1265-21-G	120/240	L-L	300	765	910	1205	1200
		L-N	N/A	460	480	740	N/A
		L-G	300	765	910	1205	1200
1455-21	120/208	L-L	300	765	910	1205	1200
		N-G	0	460	480	740	700
		L-N	150	460	480	740	700
1455-21-A	120/208	L-G	300	765	910	1205	1200
		L-L	300	765	910	1205	1200
		N-G	0	460	480	740	700
1455-21-D	208, 240	L-N	150	460	480	740	700
		L-G	300	765	910	1205	1200
		L-L	300	765	910	1205	1200

