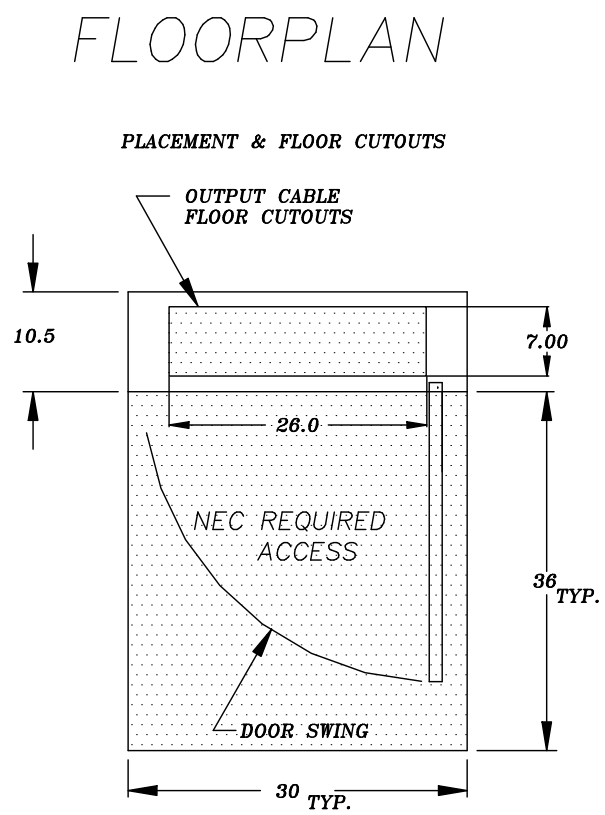
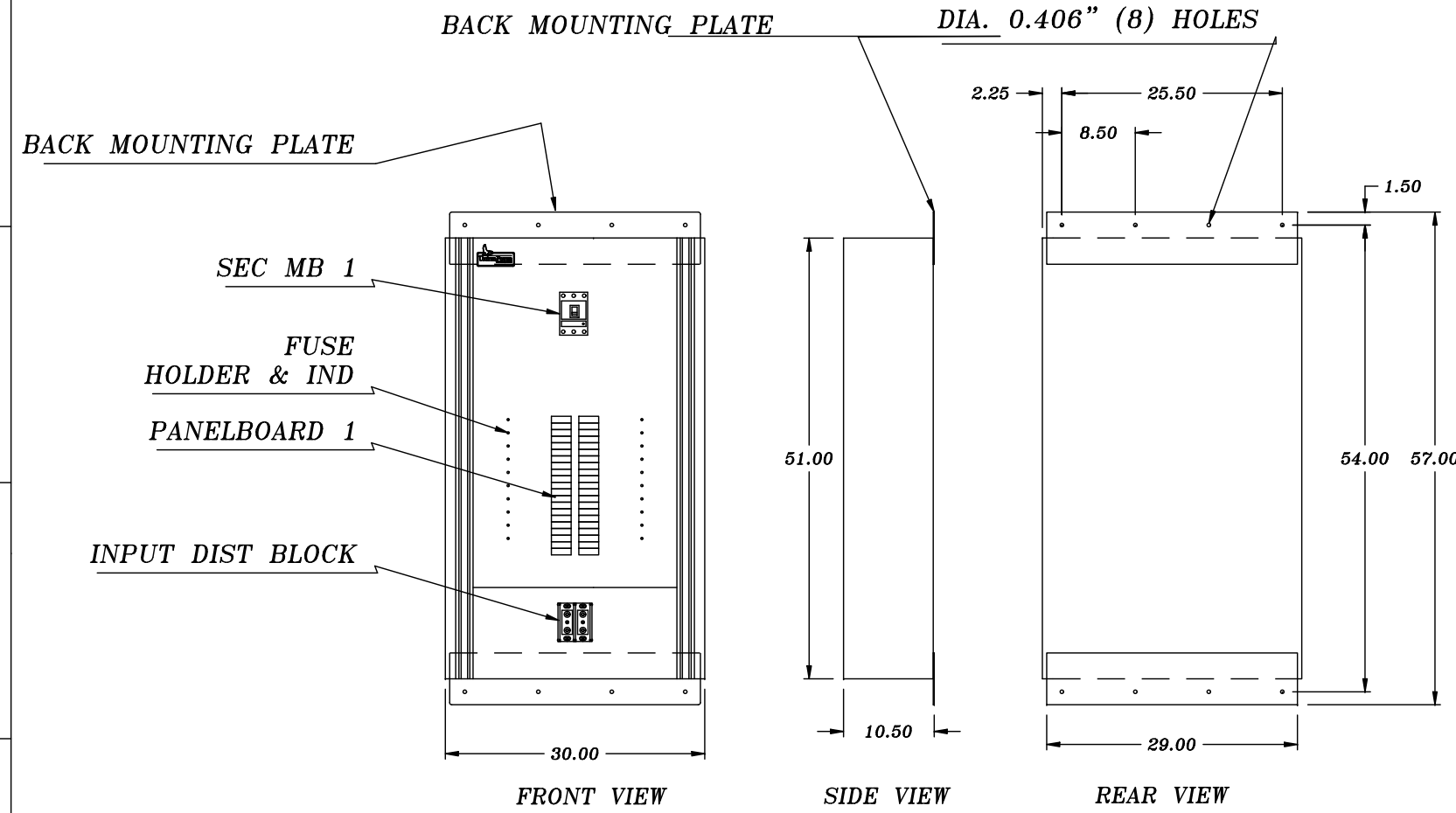


CABINET	AMPS	WIDTH	DEPTH	HEIGHT	WEIGHT
		IN/CM	IN/CM	IN/CM	LB/KG
IDM1	100	30/76	10.5/27	51/130	250/114



TAG NO.
120-UPP-1C
172-UPP-1C

INDUSTRIAL DISTRIBUTION MODULE
SERIES IDM1
100 AMPS

NO.	DESCRIPTION	DATE	DRAWN BY	CHECKED BY	APPROVED BY
XX					
XX		DD-MM	XXX	RDP	DTL

REVISIONS

Chevron Nigeria Limited

VENDOR NAME

PROJECT NAME: ESCRAVOS GAS TO LIQUIDS PROJECT

EQUIPMENT / MATERIAL NAME:

DRAWING TITLE:

EGTL1 DOCUMENT NUMBER: REV. NO.

CNL P. O. NO.: EGTL1-MGN-PRC-PO-000015

ISSUE	DESCRIPTION	BY	APPVD	DATE
2	-	-	-	-
1	-	-	-	-

UNITED POWER

DANAHER POWER SOLUTIONS
6600 EASTPORT BLVD - RICHMOND, VA 23231-4463

This document is the property of Danaher Power Solutions LLC. Under copyright law, distribution and reproduction of this document, in whole or in part, is prohibited without prior written permission from Danaher Power Solutions LLC.

ITEM NO.: 990506673000	STATUS -	SCALE -	DRWN: L&T	CHKD: GBY
	ORDER -		APPVD: WMB	DATE: 21 FEB 07
TITLE: IDM1 100A-NEMA4 ENCL. SINGLE PHASE ONE (1) PB W/ SEC MB	DWG, SIZE, NUMBER: SPB-06673	REV.:	0	SHEET 1 OF 1

UNLESS OTHERWISE SPECIFIED:
ALL DIMENSIONS IN INCHES
INSIDE BEND RADIUS .030 MAX
REMOVE ALL BURRS AND SHARP EDGES

TOLERANCE:
x.xx = ±.030 HOLE Ø = ±.005
x.xxx = ±.015 ANGLE = ±1/2°

MATERIAL: -
FINISH: -