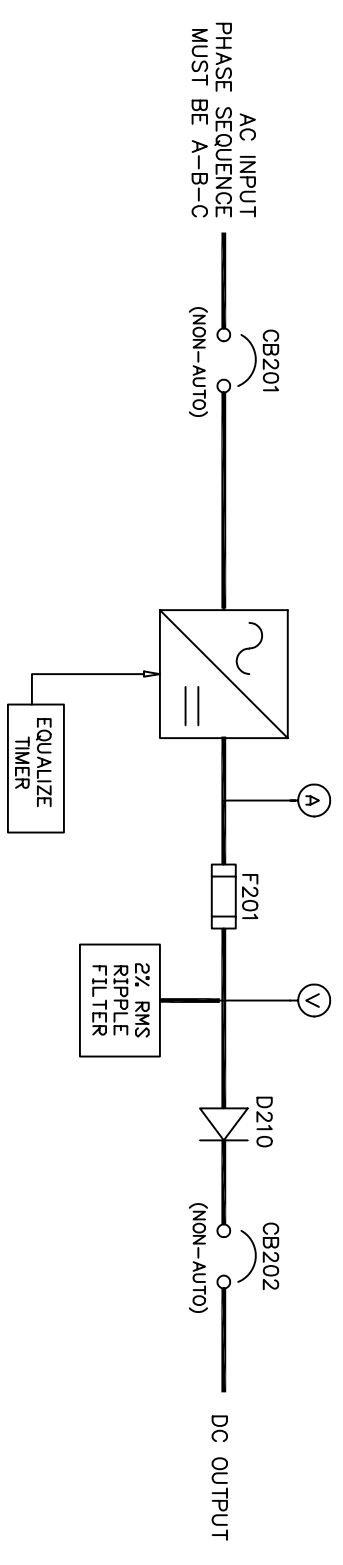
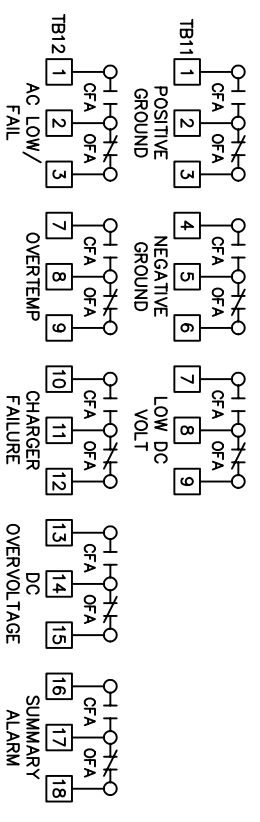


CHARGER MODEL	AC INPUT 3Ø 60HZ		DC OUTPUT		BTU PER HR	CB201 AF (NON-AUTO)	CB202 AF (NON-AUTO)	F201 AMP
	VOLTS	AMPS	VOLTS	AMPS				
RBE130-050-480-33-60	480	12	125	50	1250	100	100	80
RBE130-050-208-33-60	208	28	125	50	1250	100	100	80
RBE130-100-480-33-60	480	24	125	100	2500	100	225	150
RBE130-100-208-33-60	208	55	125	100	2500	100	225	150
RBE130-150-480-33-60	480	36	125	150	3775	100	225	250
RBE130-150-208-33-60	208	83	125	150	3775	225	225	250
RBE130-200-480-33-60	480	48	125	200	5000	100	400	300
RBE130-200-208-33-60	208	111	125	200	5000	225	400	300
RBE130-300-480-33-60	480	72	125	300	7500	100	400	400
RBE130-300-208-33-60	208	166	125	300	7500	400	400	400
RBE130-400-480-33-60	480	96	125	400	10000	225	600	500
RBE130-500-480-33-60	480	120	125	500	10000	225	600	600
RBE130-600-480-33-60	480	144	125	600	12500	225	800	800
RBE130-800-480-33-60	480	192	125	800	20000	400	1000	1000



ALARM CONTACTS



CFA/OFA - CLOSE/OPEN FOR ALARM. ALARM CONTACT RATING 2A 120VAC OR 28VDC RESISTIVE. ALL ALARMS ARE LATCHING. SUMMARY ALARM ACTIVATED FOR ALL ALARMS.



RECTIFIER-RBE
125V NOMINAL
ONLINE DIAGRAM

B	DWG NUMBER (MISTAKENLY WAS C62937-1)	BGC	BPW	07/12/01
A	RELEASED	GJB	ME	01/15/01
ISSUE	ECG#	DESCRIPTION	BY	APPVD
				DATE

ORDER:-	SCALE	DRWN: GJB	CHKD: ME
JOB: -	N/A	APPVD: ME	DATE: 01/15/01
ThomasBets <i>Power Solutions</i>		DWG. SHE. NUMBER	SHEET 1 OF 1
		C62937-1	

This document is the property of Thomas & Betts Power Solutions, LLC. It is to be used only for the project and location specified. It is not to be reproduced, stored in a retrieval system, or transmitted in any form or by any means, electronic, mechanical, photocopying, recording, or by any information storage and retrieval system, without prior written permission from Thomas & Betts Power Solutions, LLC.