

1 INPUT:

VOLTAGE: 575VAC 480VAC 380VAC 208VAC
 OTHER _____
 FREQUENCY: 60Hz 50Hz
 WIRES: 3W+G (STD.) 3W+G+IG
 INPUT CONNECTION: J-BOX (WITH TEN FOOT POWER CABLE) (STD.)
 WIRE DIRECTLY TO INPUT DEVICE (NO J-BOX/CABLE REQ'D.)
 OTHER _____

2 INPUT DEVICES:

MANUFACTURER: SQUARE-D (STD.) GE MERLIN GERIN
 CIRCUIT BREAKERS MOLDED CASE SWITCHES
 PLUG-IN DEVICES REAR CONNECTED
 BREAKER TRIP: THERMAL/MAGNETIC (STD.) SOLID STATE
 AMPS: 450 AIC RATING: 65 KA @ 480 VAC
 *ACCESSORIES: AUXILIARY SWITCH SHUNT TRIP
 LOCKOUT: _____

3 LINE SIDE SURGE PROTECTION:

LIGHTNING ARRESTOR/SURGE SUPPRESSOR

4 HIGH ISOLATION DOUBLE-SHIELDED TRANSFORMERS:

NONE:
 KVA: 15 30 50 75 100
 125 150 200 225 300
 CONFIGURATION: DELTA-WYE WYE-WYE (ONLY WHEN "NONE" SPECIFIED)
 OUTPUT: 480/277 VAC 380/220 VAC 208/120 VAC
 OTHER _____
 K-RATING: K-1 (STD.) K-13 K-20
 IMPEDANCE: 3.5K-5K (STD.) 5.5K OTHER _____
 150 DEGREE C RISE (STD.) LOW INRUSH

5 LOAD SIDE SURGE PROTECTION:

TVSS MODULES
 40KA

6 STATIC SWITCH INPUT/BYPASS/OUTPUT DEVICES

MANUFACTURER: MERLIN GERIN
 MOLDED CASE SWITCHES (STD.) CIRCUIT BREAKERS
 PLUG-IN DEVICES (STD.)
 BREAKER TRIP: THERMAL/MAGNETIC (STD.) SOLID STATE
 AMPS: 400 AIC RATING: 100 KA @ 480 VAC
 *ACCESSORIES: AUXILIARY SWITCH SHUNT TRIP
 LOCKOUT: KIRK KEY

7 DISTRIBUTION:

NONE--TERMINAL BLOCKS
 TOTAL DISTRIBUTION POSITIONS: 2 (2 MAX.)
 PANELBOARDS:
 IN POSITIONS: 1 2
 MANUFACTURER: SQUARE-D (STD.) GE
 CONNECTION: MAIN LUG ONLY (STD.) SECONDARY MAIN BREAKERS
 SECONDARY MAIN BREAKER OPTIONS:
 AMPS: _____ AIC RATING: _____ KA @ 240 VAC
 HARD BUSING BETWEEN SECONDARY MAIN BREAKER AND PANELBOARD

SUB-FEED BREAKERS:

MANUFACTURER: SQUARE-D (STD.) GE
 SUB-FEED BREAKERS OPTION: PADLOCK 120VAC SHUNT TRIP
 POSITION 1:
 BKR 1: 225 AMP, 25 KA@240V BKR 1: 225 AMP, 25 KA@240V
 BKR 2: 225 AMP, 25 KA@240V BKR 2: 225 AMP, 25 KA@240V
 BKR 3: 225 AMP, 25 KA@240V BKR 3: _____ AMP, _____ KA@240V
 BKR 4: 225 AMP, 25 KA@240V BKR 4: _____ AMP, _____ KA@240V
 POSITION _____:
 BKR 1: _____ AMP, _____ KA@240V BKR 1: _____ AMP, _____ KA@240V
 BKR 2: _____ AMP, _____ KA@240V BKR 2: _____ AMP, _____ KA@240V
 BKR 3: _____ AMP, _____ KA@240V BKR 3: _____ AMP, _____ KA@240V
 BKR 4: _____ AMP, _____ KA@240V BKR 4: _____ AMP, _____ KA@240V
 POSITION _____:
 BKR 1: _____ AMP, _____ KA@240V BKR 1: _____ AMP, _____ KA@240V
 BKR 2: _____ AMP, _____ KA@240V BKR 2: _____ AMP, _____ KA@240V
 BKR 3: _____ AMP, _____ KA@240V BKR 3: _____ AMP, _____ KA@240V
 BKR 4: _____ AMP, _____ KA@240V BKR 4: _____ AMP, _____ KA@240V

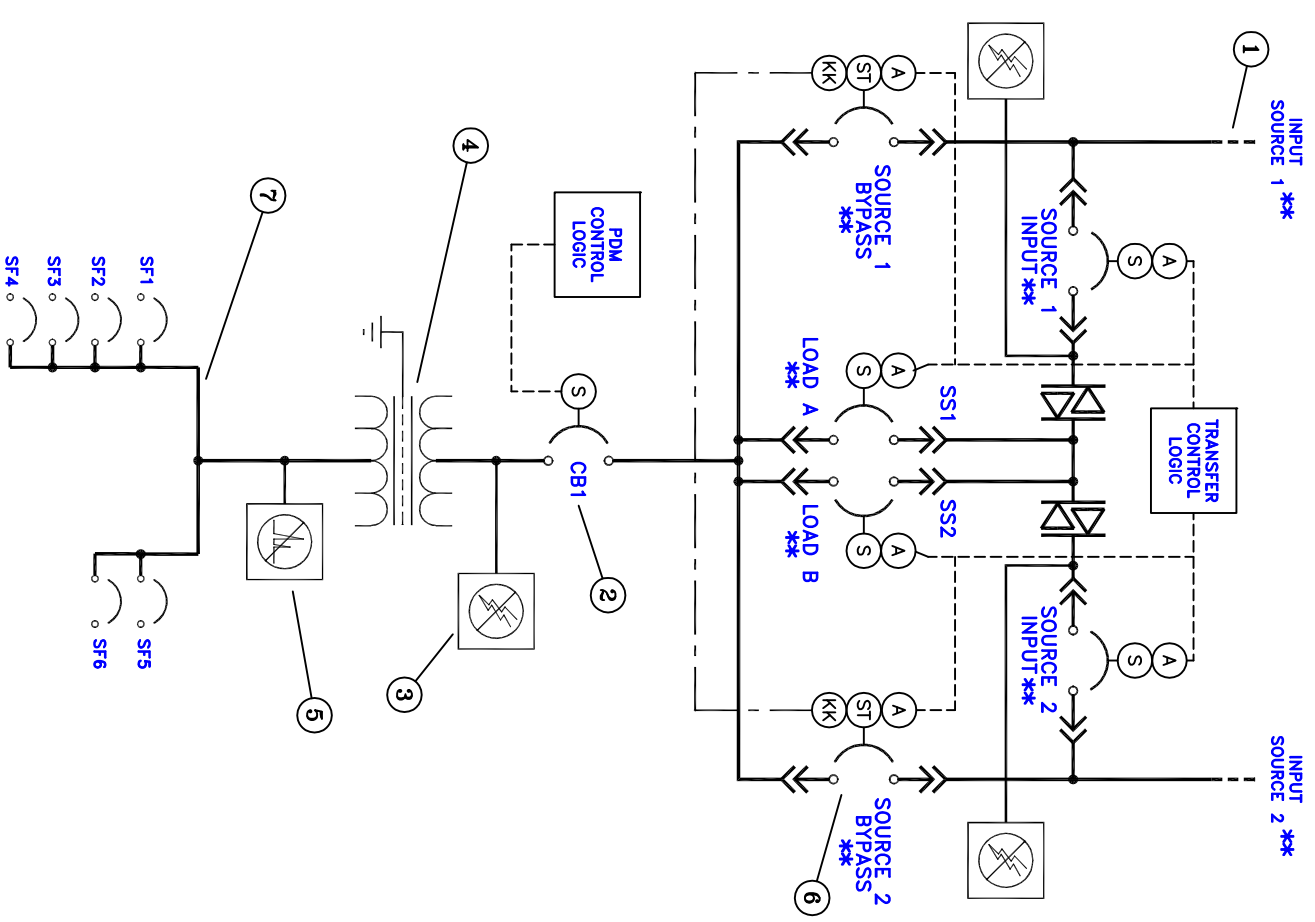
8 MONITORING:

PDM INTERNAL MONITORING:
 BASIC FOCUS LEVEL II FOCUS LEVEL III
 OTHER BMM/FX
 CENTRAL MONITOR INTERFACE: (REQUIRES FOCUS LEVEL II, III, OR BMM)
 FOCUS LEVEL 40 3RD PARTY PROTOCOL MODBUS RTU

9 STATIC SWITCH:

CONTINUOUS CURRENT RATING: 200 AMP 400 AMP 600 AMP 800 AMP
 VOLTAGE: 480VAC 208VAC
STANDARD FEATURES/OPTIONS:
 STATIC SWITCH MIMIC/CONTROL PANEL (STD.)
 190C/220C THERMAL PRE-ALARM/CUTOFF (STD.)

** NOTE: MOLDED CASE SWITCHES REQUIRE PROTECTIVE FEEDER
 CIRCUIT BREAKERS SIZED PER KVA OF SYSTEM.



LEGEND: (A) AUXILIARY SWITCH (S) SHUNT TRIP (KK) KIRK KEY ----- INTERLOCK CONTROL LOGIC

2	-	-	-	5	-
1	-	-	-	4	-
ISSUE	DESCRIPTION	BY	APPVD	DATE	

UNLESS OTHERWISE SPECIFIED:
 ALL DIMENSIONS IN INCHES
 INSIDE BEND RADIIUS .030 MAX
 REMOVE ALL BURRS AND SHARP EDGES

TOLERANCE:
 X.XX = ±.030 HOLE Ø = ±.005
 X.XXX = ±.015 ANGLE = ±1/2°

MATERIAL: -
 FINISH: -

Thomas & Betts
Power Solutions

5900 EASTPORT BLVD - RICHMOND VA, 23231-4453

This document is the property of Thomas & Betts Power Solutions LLC. Under copyright law, distribution and reproduction of this document, in whole or in part, is prohibited without prior written permission from Thomas & Betts Power Solutions LLC.

ITEM NO.:	SCALE:	DRWN.:	GBY	CHKD.:	-
STATUS:	APPVD.:	-	-	DATE:	11/09/07
TITLE:	MC11.2 300KVA K13		DWG. SIZE NUMBER:	B003484-12-10	
ORDER:	400A SS3, 6 SUBFEED BKRS		REV.:	1	
ORDER:	1-LINE DIAGRAM		SHEET:	1 OF 1	