

1 INPUT:

- VOLTAGE: 480VAC
 OTHER
- FREQUENCY: 60Hz 50Hz
- WIRES: 3W+G (STD.) OTHER
- INPUT CONNECTION: TERMINAL BLOCK (STD. ON 225KVA AND 300KVA)
 WIRE DIRECTLY TO INPUT DEVICE (NO TB/CABLE REQ'D.)
 OTHER _____

2 INPUT DEVICES:

- MANUFACTURER: SQUARE-D (STD.) OTHER
- CIRCUIT BREAKERS
- OTHER
- BREAKER TRIP: THERMAL/MAGNETIC (STD.)
- AMPS: _____ AIC RATING: _____ KA @ _____ VAC
- *ACCESSORIES: SHUNT TRIP

3 LINE SIDE SURGE PROTECTION:

- LIGHTNING ARRESTOR
- SURGE ARRESTOR

4 HIGH ISOLATION DOUBLE-SHIELDED TRANSFORMERS:

- kVA: 50 75 100 125 150
- 200 225 300
- CONFIGURATION: _____ DELTA-WYE
- OUTPUT: 208/120 VAC
 OTHER _____
- K-RATING: K-4 K-13 (STD.) K-20
- INRUSH: 11X (STD.) 5X
- 150 DEGREE C RISE (STD.) 115 DEGREE C RISE

5 LOAD SIDE SURGE PROTECTION:

- TVSS MODULES
- 1-STAGE, 40KA
- 1-STAGE, 80KA

6 OPTIONAL MONITORING

- BCM
- BCM W/ POWER
- SFCM
- SFCM W/ POWER

7 DISTRIBUTION:

- TOTAL DISTRIBUTION POSITIONS: _____ (6 MAX.)
- PANELBOARDS:
- IN POSITIONS: 1 2 3 4 5 6
- MANUFACTURER: SQUARE-D (STD.) GE OTHER
- CONNECTION: MAIN LUG ONLY (STD.) OTHER

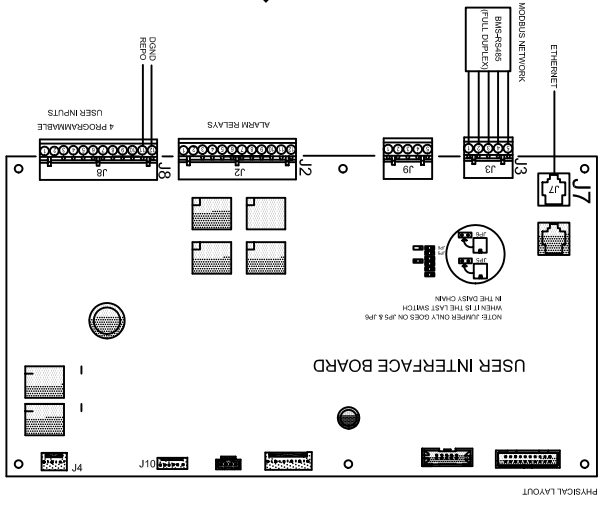
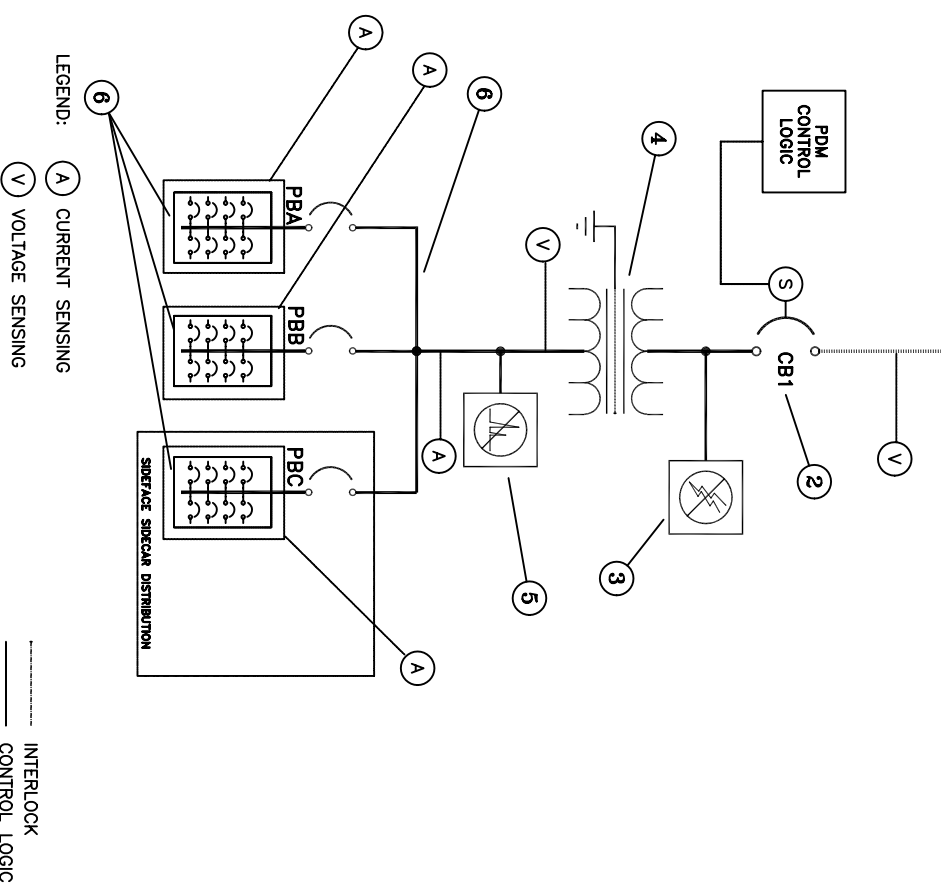
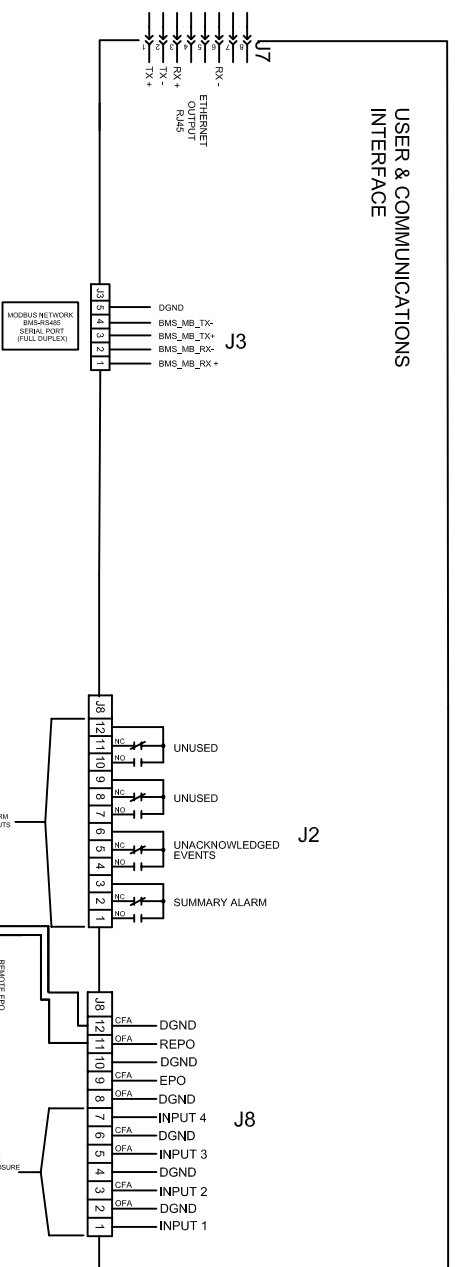
I-LINE PANELBOARDS:

- MANUFACTURER: SQUARE-D (STD.) OTHER
- POSITION _____:
- BKR 1: _____ AMP, _____ KA@240V BKR 6: _____ AMP, _____ KA@240V
- BKR 2: _____ AMP, _____ KA@240V BKR 7: _____ AMP, _____ KA@240V
- BKR 3: _____ AMP, _____ KA@240V BKR 8: _____ AMP, _____ KA@240V
- BKR 4: _____ AMP, _____ KA@240V BKR 9: _____ AMP, _____ KA@240V
- BKR 5: _____ AMP, _____ KA@240V BKR 10: _____ AMP, _____ KA@240V

SUB-FEED BREAKERS:

- MANUFACTURER: SQUARE-D (STD.) OTHER
- POSITION _____:
- BKR 1: _____ AMP, _____ KA@240V
- BKR 2: _____ AMP, _____ KA@240V
- BKR 3: _____ AMP, _____ KA@240V
- BKR 4: _____ AMP, _____ KA@240V
- POSITION _____:
- BKR 1: _____ AMP, _____ KA@240V
- BKR 2: _____ AMP, _____ KA@240V
- BKR 3: _____ AMP, _____ KA@240V
- BKR 4: _____ AMP, _____ KA@240V

USER & COMMUNICATIONS INTERFACE



CYBEREX.
Power Solutions

PDM MKII ONELINE
PDM CABINET

SCALE: DRWN: 1:12
DATE: 10/10/07

STATUS: _____
CHKD: _____

APVD: _____
DATE: 10/10/07

DWG. SIZE NUMBER: _____
SHEET 1 OF 1

This document is the property of Thomas & Betts Power Solutions LLC. Under no circumstances shall this document be reproduced, stored in a retrieval system, or transmitted in any form or by any means, electronic, mechanical, photocopying, recording, or by any information storage and retrieval system, without prior written permission from Thomas & Betts Power Solutions LLC.